

G1102 EyeSafe-A™ Faucet-Mounted Eye Wash, Nonadjustable Solid Stream Heads



Application: EyeSafe™ faucet-mounted eye washes convert any faucet into an emergency eye wash station without interfering with normal faucet operation. An EyeSafe™ unit can be installed at any sink, close to where accidents might occur. In an emergency, unit is quickly located and activated, and provides an unlimited supply of potable water for rinsing the user's eyes.

Outlet Heads: Non-aerated outlet heads are mounted 3" apart. Heads deliver a nonaerated, solid stream of water. Angle of heads is not adjustable. Furnished with float-off dust covers to protect outlet heads.

Valve: Forged brass diverter valve. Pull knob to activate eye wash; water pressure holds eye wash in operation, leaving user's hands free. Push knob or turn off faucet to return to normal faucet operation.

Inlet: Body has 55/64"-27 female thread. Furnished with three adaptors (15/16"-27, 13/16"-27 and 3/8" IPS) for installing on most commonly used faucets, including laboratory-type faucets.

Outlet: Furnished with removable aerator on bottom.

Quality Assurance: Each unit is completely assembled and water tested prior to shipment.

Important: *Faucet-mounted eye washes, whether manufactured by Guardian Equipment or other companies, require two motions to operate (turn on water, pull knob to activate eye wash flow). Therefore, Guardian does not believe that these units meet the provisions of ANSI Z358.1-2004 as eye wash units. These units are intended solely as supplemental units in addition to dedicated, plumbed eye wash equipment installed in the workplace.*

Faucet-mounted eye washes should be used with cold or warm water only. Use of hot water might cause scalding.

Available Options

- AP400-012** Inlet adaptor with 13/16"-24 female thread.
- 250-047R** Replacement float-off dust covers (package of 2).



Enviro Safety Products

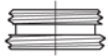
8248 West Doe Ave.
Visalia, CA 93291
info@envirosafetyproducts.com

Phone: 559-651-0919
Toll Free: 800-637-6606
Fax: 559-651-1320
envirosafetyproducts.com

Inlet Adaptors



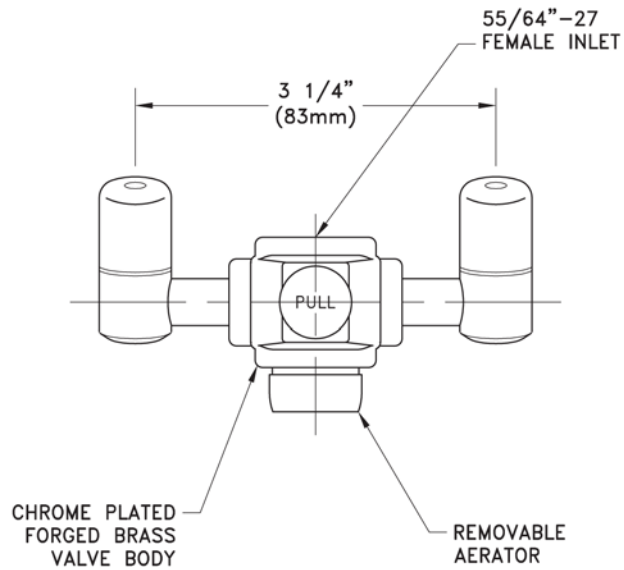
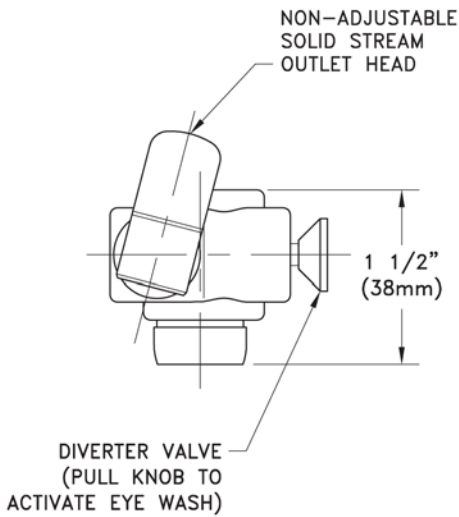
15/16"–27 ADAPTOR



13/16"–27 ADAPTOR



3/8" NPS ADAPTOR



NOTES:

1. USE COLD OR WARM WATER ONLY WITH FAUCET-MOUNTED EYE WASH.
2. THIS UNIT IS INTENDED AS A SUPPLEMENT TO, BUT NOT A REPLACEMENT FOR, DEDICATED PLUMBED-IN EYE WASH EQUIPMENT.



Sign Included

This space for Architect/Engineer approval

Enviro Safety Products

8248 West Doe Ave.
Visalia, CA 93291

info@envirosafetyproducts.com

Phone: 559-651-0919
Toll Free: 800-637-6606

Fax: 559-651-1320
envirosafetyproducts.com